

Originalbetriebsanleitung,
vor der Benutzung gründlich lesen!

Original instructions,
read carefully before use!

Notice originale,
lire attentivement avant utilisation!

Manual original
¡lea cuidadosamente antes de usar!

Istruzioni originali,
leggere attentamente prima dell'uso!

Oorspronkelijke gebruiksaanwijzing,
voor gebruik aandachtig lezen!

Originální návod k obsluze,
před použitím si pozorně přečtěte!

Originalna navodila za uporabo,
pred uporabo natančno preberite!

Original bruksanvisning,
les nøye før bruk!

Originalna uputa za uporabu,
pažljivo pročitajte prije upotrebe!

Az eredeti üzemeltetési útmutató fordítása,
használat előtt figyelmesen olvassa el!

Перевод руководства по эксплуатации,
внимательно прочитайте перед использованием!

Tłumaczenie oryginalnej instrukcji eksploatacji,
przeczytaj uważnie przed użyciem!

Originalbruksanvisning,
läs noga innan användning!

Druckspritze

Pressure Sprayer

Pulvérisateur à pression

Pulverizador a presión

Spruzzatore a pressione

Drukspuit

Tlakové postřikovače

Tlačna škropilnica

Trykksprøyter

Prskalica pod pritiskom

Nyomófecskenvező

Распылитель давления

Opryskiwacz ciśnieniowy

Tryckspruta

de

en

fr

es

it

nl

cs

sl

no

hr

hu

ru

pl

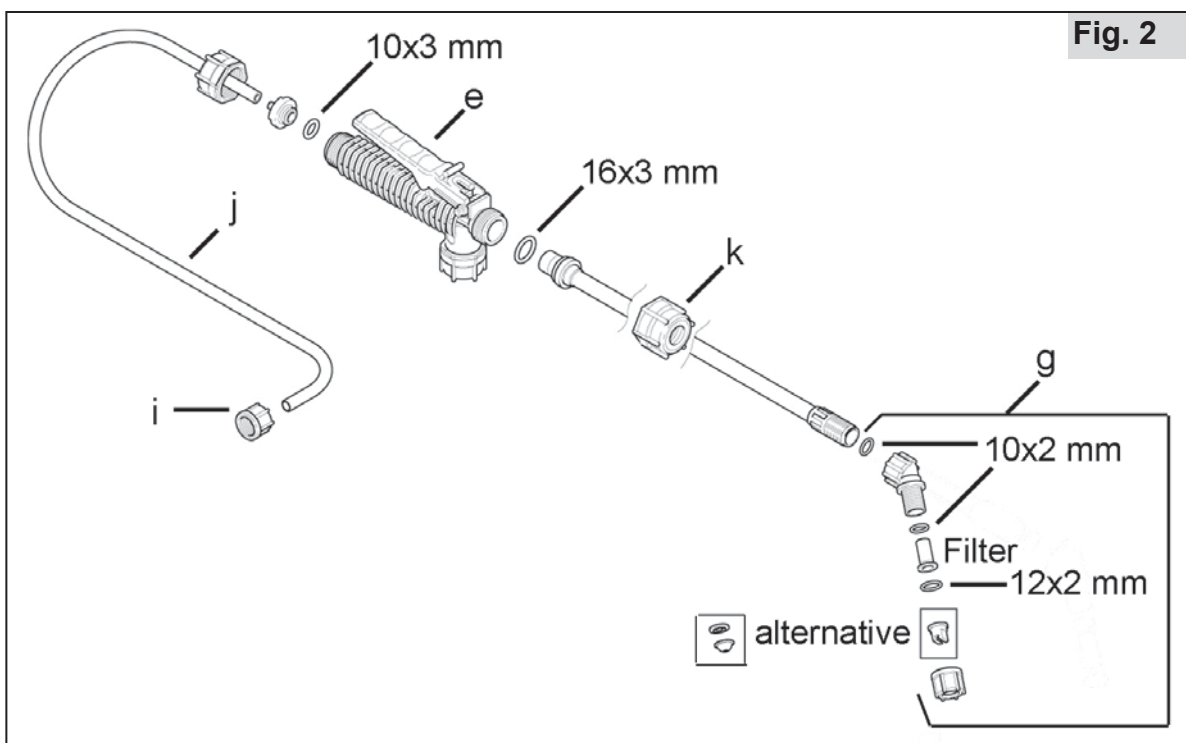
sv

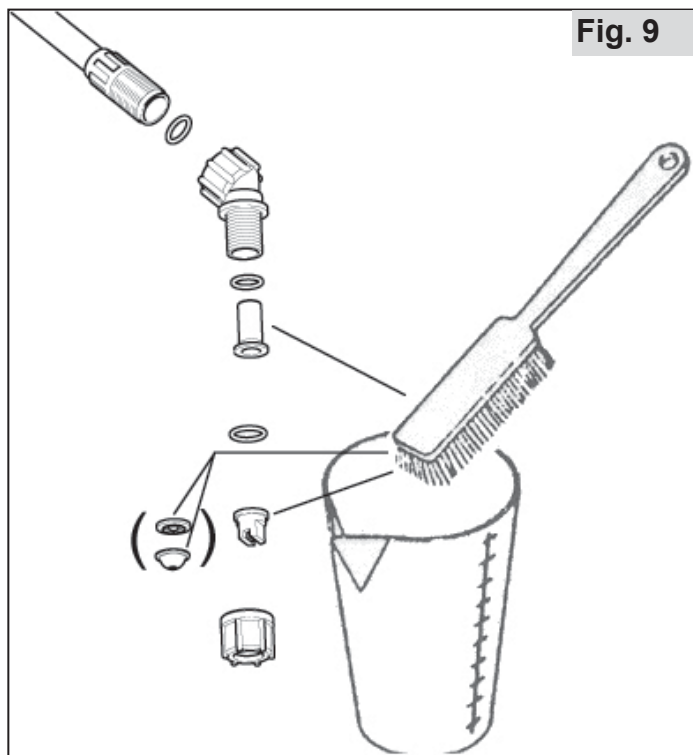
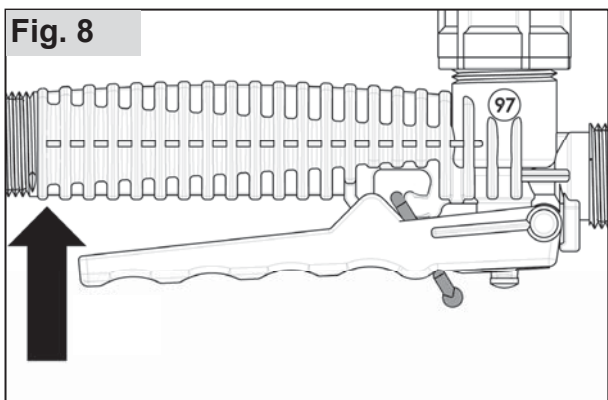
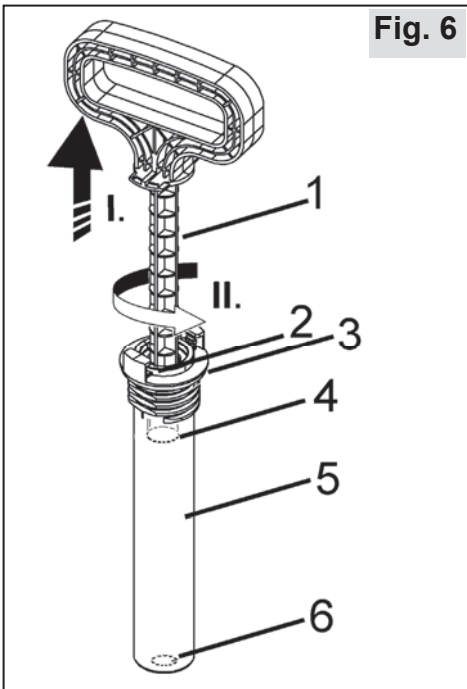
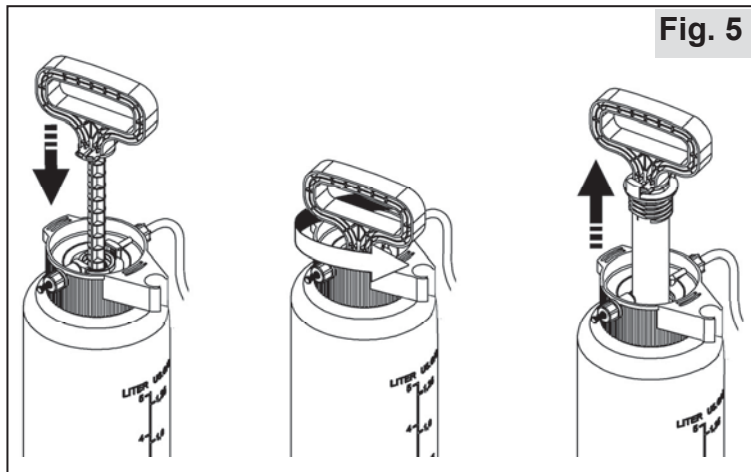
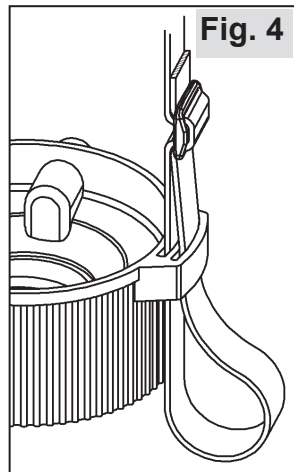
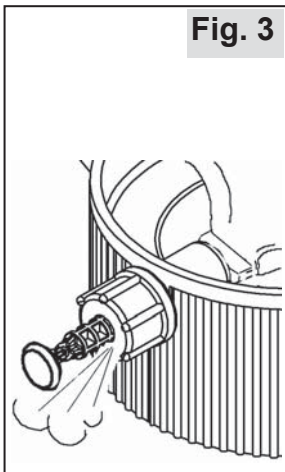


Fig. 1



Fig. 2





5 Symbols



Read the original instructions thoroughly.



DANGER! Non-observation of the original instructions may potentially cause fatal injury.



Wear the prescribed protective clothing.



Wear protective gloves.



Wear facial protection (e.g. goggles).



Wear breathing protection.



No smoking.



No open fire.



Minimum distance from other persons: 15 m [approx. 16 yards]

6 Safety provisions

6.1 Intended use / applications

- Use the device only for the application of liquid herbicides, pesticides and weed killers as well as liquid fertilisers that are available from the authorised specialist trade and approved by local/national authorities for use with portable spraying devices and for the application of clean water.
- Strictly observe the information on the spraying agent, in particular instructions on personal protective equipment.
- Application areas are in farming, tree nurseries, forest operations, orchards, vineyards, market gardens, as well as glasshouse cultures with sufficient ventilation and venting.
- The device must not be used for any other purposes, such as application of other agents from the above liquids! In particular, no acids, alkalis, solvent-containing liquids and waterproofing agents must be applied.
- Never use any liquids with temperatures above 40 °C [104 °F].
- Do not use any flammable agents.

6.2 General safety notes

Read the original instructions before first use and keep it in a safe place.

Non-observation of information provided in these original instructions may potentially be fatal; the user is liable for any damage, direct or consequential, caused by this.

The original instructions must be kept on hand at the site of use of the sprayer at all times.

It must be read by all who are charged with any work with and on the device (including for maintenance, care and repair).

- Have safe use shown and explained to you by a SOLO specialist vendor.
- Persons under the age of 18 must only work under supervision with this sprayer.
- Keep persons and animals away from the working area. Never spray in the direction of any persons, animals or objects that could be hurt or damaged.
- This sprayer must only be passed on to persons who are familiar with this model, its operation and the original instructions.
- If you work with this sprayer, you should be physically fit, rested and healthy.
- Do not use the sprayer while under the influence of alcohol, drugs or medication.
- Never make any changes to existing safety provisions and operating parts.
- Only use the sprayer when it is operationally safe to do so. Check the sprayer before every use according to chap. 10.1.
- Replace damaged parts without delay. Only use SOLO genuine spare parts.
- Only use factory approved accessories and attachments for this sprayer.
- Empty and clean the sprayer according to the information in chap. 10.6 for this. Prevent unauthorised access to the machine.

6.3 Safe handling of spraying liquids


- Follow suitable procedures and use collection containers to prevent any contamination of the environment, the public waterways and/or storm water systems from chemical agents and cleaners. This can happen while mixing, filling, using, emptying, cleaning or during transport.
- Always collect chemical spray liquids and cleaners (including residues) in suitable containers and return them to collection points specified by the municipal administration.
- In case of skin or eye contact, rinse or flush the affected body parts with plenty of clean water. Seek medical advice without delay.
- Contaminated clothing should be changed at once.
- Never eat or drink while handling spray liquids
- If you feel nauseous during work, or if you are excessively fatigued, stop working at once. If the condition persists, seek medical advice without delay.
- Never permit children or persons work with or handle spraying liquids if they are not familiar with these substances.




- Never fill different spray solutions into the spray tank.
- The description of the kind of spray solution used must be attached to the device and must be updated with every change of the spraying solution.
- When changing the spray solution, clean the spray tank and all parts that come in contact with the spray solution. Operate the sprayer with clear water first before filling the spray tank with the different spray solution.
- At the end of work, empty and clean the sprayer according to chap. 10.6, clean your face and hands thoroughly, take off work clothing and wash it regularly.

6.4 When transporting the sprayer

- The device must be securely strapped down when transported on vehicles.
- Prevent leakages of spraying agents. The liquid tank of the sprayer and all liquid carrying hoses must be inspected regularly for leaks.

6.5 Work clothing /personal protection equipment (PPE)

 Suitable and approved protective clothing that protects all body parts from contact with the spray solution must be worn.

- Wear firm shoes with good gripping soles.
-  • Wear protective gloves with a slip-proof palm.
-  • Use facial protection (e.g. protective goggles).
-  • Always wear a breathing mask. when working in dense, tall plants, greenhouses, troughs or trenches and when using dangerous spraying agents.

6.6 Before and during work

- Before starting work, always check the entire device for operational safety according to chap. 10.1.
- The sprayer must only be operated by one person. There must be no other person within a radius of 15m [approx. 16 yards].
- Always ensure sufficient air exchange in dense plant growth, in greenhouses, troughs or trenches.
- Always stay within calling distance from other persons that may provide help in emergency.
- Take regular working breaks to prevent fatigue.
- Do not smoke at the workplace.

6.7 Maintenance, repair and storage

Only perform maintenance and repair work yourself that is described in these original instructions. All other work must be carried out by an authorised specialist workshop.

- Do not service, repair or store the sprayer near open fire.
- Before doing any maintenance work or repairs and before opening the spraying agent tank, depressurise the device by pulling on the pressure relief valve (Fig. 3). Before pulling on the pressure relief valve (d), the device must always be in an upright position. Attention: Keep the device away from your face!
- The pressure hose, hand valve, spray wand and nozzle assembly must only be unscrewed when the sprayer is depressurised.

7 Work preparation

Fig. 1:

- a Spraying agent tank
- b Flange housing
- c Pump handle
- d Pressure relief valve
- e Shut-off valve
- f Spray tube
- g Nozzle attachment
- h Carrying strap

7.1 Assembly

Fig. 2:

Firmly screw the nozzle attachment (g) with the O-Ring (10x2 mm) hand-tight onto the spray tube. Do not use any tools!

- Push the threaded collar (i) onto the high-pressure hose (j).
- Push the hose completely onto the provided connector of the red-flanged housing, by using strong pressure and turning the hose.
- Secure the hose by screwing on the threaded collar (hand-tight, do not use any tools!).
- Fasten the threaded collar (k) on straight and firmly screw the spray tube (f) with O-ring (16x3 mm) hand-tight onto the shut-off valve (e). Do not use any tools!

Fig. 1:

When your work is completed, the spray tube should be fitted into the holding clamp at the pump handle (c). Please put the nozzle attachment completely up.

7.2 Filter

The nozzle assembly (g) includes a filter insert in front of the nozzle.

The nozzle filter must always be used when working with the pressure sprayer.

7.3 Carrying strap

Fig. 4:

Thread both ends of the carrying strap through the slits provided on the red flanged housing. Use the sliding clip to adjust the carrying strap to the required length.

7.4 Test run

Before its initial use, the sprayer should be tested according to chapter 10.2.

8 Preparing the spray liquid and filling the spray tank

Prepare the spray liquid according to the instructions of the chemical manufacturer.

Always prepare the spray liquid outdoors, never in living quarters, stables or storage rooms for food and animal feed.

Before opening the spraying agent tank, depressurise the device by pulling on the pressure relief valve (Fig. 3). Before pulling on the pressure relief valve (d), the device must always be in an upright position.

Attention: Keep the device away from your face!



The upper red flange housing must not be removed from the container.

Fig. 5:

To fill the tank with spraying agent, the pump must be unscrewed. Push the pump handle (c) down and turn it to the left (counterclockwise) until the handle clicks into position.

Unscrew the pump by turning it counterclockwise. Do not use any tools!

Fill the tank no further than to the upper-most mark on the side of the spray tank.

Overfilling the tank or spills can contaminate public waterways, rain- and storm water channel and must be avoided.

Wipe off spilled spray liquid without delay.

After filling, insert the pump again and refasten firmly by turning the pump handle (c) clockwise to prevent the spraying agent from escaping. Refasten firmly until the pump handle clicks into position.

Fig. 7:

Attach the respective sticker for the type of spray liquid, such as herbicide, fungicide or insecticide to the spray tank.

9 Use of the pressure sprayer

9.1 Spraying

- Do not use the sprayer in wind or rain.
- Check the direction of the air movement before starting work and spray with the air movement, not against it.
- Do not spray towards persons, animals, open doors and windows, cars or other objects that may be hurt or damaged by the spray.
- Ensure that only the actual spray target will be wetted. Always aim to obtain even and homogenous distribution of the spray on the treated surfaces.

Pumping and spraying:

To pump, loosen the pump handle (c) by turning out of the stop position. Pump the unit until the operating pressure is reached in the spraying agent tank. Excessive pressure escapes automatically through the pressure relief valve (d).

Hold the spray wand with the hand valve.

Fig. 8:

To spray, depress the hand lever on the valve. Release the hand valve lever to stop spraying.

To spray the underside of leaves, lightly loosen the spray wand cap nut and turn the wand hand tighten again.

An uneven spray picture or reduced spray output from the nozzle may require cleaning of the nozzle filter insert and nozzle (chap.10.6) or the replacement of these parts (chap. 10.4).

The pressure sprayer can also be carried by the pump handle (c), if the pump handle is pressed down completely, and it is turned to the right and clicked into position.

9.2 Disposal of residual spray volume

Residual spray volumes of less than 200 ml [6.8 oz] are no longer pumped effectively. Either add more spray formula and continue spraying or, when finishing off, dilute the residual volume with 2 litres [68 oz] of clean water and apply to the already treated area.

At the end of the work, empty and clean the sprayer according to chap. 10.6, wash face and hands thoroughly and take off the work clothing. Work clothing requires regular washing.

10 Maintenance, cleaning and storage

10.1 Maintenance plan

Before starting work:

- Check the entire sprayer is operationally safe by:
 - Visual inspection of the sprayer
 - Checking the tightness of all parts (at maximum admissible pressure with the hand valve opened and closed).
 - Checking the working of all functional parts (pump, hand valve).
 - Checking the hoses and their screw connections.

After the end of work, when changing the spray formula, whenever required:

- Cleaning the spray tank chap. 10.6
- Cleaning the nozzles and filters chap. 10.6

Monthly or at the start of the season, whenever required:

- Checking the output volume chap. 10.3
- Greasing the sealing rings chap. 10.5

10.2 Test run

When the spraying season starts and then every month, the following items must be checked in a test run with clean water:

- Tightness of all sprayer parts at maximum admissible pressure with the hand valve opened and closed
- Function of all working parts (hand valve, pump)
- Dosage and distribution accuracy
- Calibration of output volume according to chap. 10.3

In case of irregularities, damage, leaks or limited function, do not use the sprayer but have it checked in a specialist workshop without delay.

10.3 Calibration of the output volume

Fill the sprayer with water to the maximum mark and spray with a working pressure of 2 bar [29 psi] for precisely one minute. Then measure the water volume required when refilling to the maximum mark. The application volume must not deviate from the indicated value (chap. 11) by more than 10%; otherwise, clean the nozzle and the filter insert and repeat the measurement procedure. If the application volume is not correct even after cleaning, replace the nozzle and/or filter insert. Chap. 10.4

10.4 Replace the spray nozzle and/or filter

- Flush the nozzle assembly with clean water.
- Unscrew the nozzle assembly.
- Clean the O-rings, filter insert and spray nozzle with clean water and soft brush. Do not blow out the spray nozzle by mouth! Do not clean nozzles with any hard objects!
- Replace the nozzle with a new nozzle and/or new filter insert.
- Screw the parts of the nozzle assembly back together (Fig. 2).

10.5 Greasing the sealing rings

If the pump or the pressure relief valve (d) is hard to operate, the respective sealing rings are to be greased with silicone grease or replaced if necessary.

Clean/grease/replace the sealing ring of the pressure relief valve:

- Place the empty and depressurized device securely on level ground.
- Unscrew the pressure relief valve (d) counterclockwise.
- The sealing ring of the pressure relief valve can now be cleaned, greased or replaced by a new one if damaged.
- Put the pressure relief valve straight to the connector and fasten it hand-tight by turning clockwise. Do not use any tools!

Clean/grease/replace the sealing rings of the pump:

- Place the empty and depressurized device securely on level ground.
- Unscrew the pump counterclockwise from the spraying agent tank (Fig. 5).
- The sealing ring on the upper pump end (Fig. 6.3) can now be cleaned, greased or replaced by a new one if damaged.
- Pull-out the pump piston (Fig. 6.1) completely and unscrew it counter-clockwise out of the pump cylinder (Fig. 6.5). Do not use force, and do not use any tools!
- The sealing ring on the pump piston (Fig. 6.4) can now be cleaned, greased or replaced by a new one if damaged.
- Push the pump piston back into the pump cylinder. Insert the piston socket (Fig. 6.2) into the pump cylinder and hold it tight.
- Hold the piston socket and carefully pull out again the pump piston completely.
- Turn the piston clockwise until the piston socket clicks into place in the pump cylinder. Do not use force, and do not use any tools!

10.6 Empty the spray tank and clean all the parts in the spray delivery system to the nozzle

Before opening the spraying agent tank and before disassembling the nozzle attachment, depressurise the device by pulling on the pressure relief valve (Fig. 3).

Before pulling on the pressure relief valve (d), the device must always be in an upright position.

Attention: Keep the device away from your face!

Empty the spray tank, flush with clean water all parts in the delivery system to the.

Give special attention to the wear parts such as nozzles, filters and seals.

Observe the cleaning notes in the original user manual for the chemical.

Never use any aggressive, acid- or solvent-containing cleaning agents (e.g. petrol).

After cleaning, let the spray tank dry in the open air.

Clean the spraying nozzle, filter and filling screen:

Fig. 9:

- Flush the nozzle assembly with clean water.
- Unscrew the nozzle assembly.
- Clean the O-rings, filter insert and spray nozzle with clean water and a soft brush.
Never blow out the spray nozzle with the mouth!
Never clean nozzles with hard objects!
- Screw the parts of the nozzle assembly back together (Fig. 2).

10.7 Down periods and storage

Empty and clean the sprayer according to chap. 10.6.

Keep the sprayer protected from sunlight in a dry, frost-free and secure location at a temperature of max. 35 °C [95 °F].

No open fireplaces or similar must be nearby.

Prevent unauthorised use – especially by children.

11 Technical data

Model		461	462
Spray tank:	Total volume), approx.	8.3 l [2.19 gal]	9.5 l [2.51 gal]
	Max. fill volume), approx.	5.0 l [1.32 gal]	7.0 l [1.85 gal]
Residual volume, (remaining liquid in tank that cannot be used)		< 200 ml [6.8 oz]	
Maximum permitted operating pressure		3.0 bar [44 psi]	
Permissible operating temperature		0–40 °C [32–104 °F]	
Pressure hose:	Length	1,500 mm [59"]	
Maximum application volume (with standard spraying nozzle)		1.6 l/min [0.423 USgal/min]	
Filter insert:	Mesh gauge	0.8 mm [0.031"]	
Weight:	Ready for operation, empty	1.5 kg [3.3 lbs]	1.7 kg [3.8 lbs]
	Ready for operation, with max. filling volume	6.5 kg [14.3 lbs]	8.7 kg [19.2 lbs]
Dimensions (without spray wand and pressure hose):	Height	460 mm [18.1"]	520 mm [20.5"]
	Width	200 mm [7.9"]	200 mm [7.9"]
	Depth	200 mm [7.9"]	200 mm [7.9"]

Application volumes (l/min [USgal/min]/* **optimal operating pressure** by using the corresponding nozzle:

Spray pressure	1 bar [15 psi]	2 bar [29 psi]	3 bar [44 psi]
Flat spray nozzle 04-F110	0.92 [0.243]	* 1.31 [0.346]	1.60 [0.423]
Hollow cone nozzle 1.0 mm Ø	0.40 [0.106]	* 0.55 [0.145]	0.70 [0.185]

Notice originale

Lire attentivement le présent manuel avant la première mise en service et observer impérativement les consignes de sécurité !

Sous réserve de modifications du contenu de la livraison tant en ce qui concerne la forme que la technologie et l'équipement. Les données et les illustrations contenues dans ce manuel d'utilisation n'ouvrent aucun droit à des prétentions quelconques.

En fin de vie de l'appareil, éliminez celui-ci dans le respect de la réglementation locale.

La machine peut être soumise selon les prescriptions nationales à un contrôle régulier par des établissements désignés, comme prévu dans la directive 2009/128/CE

Informations sur les ingrédients matériels (VO (EC) No.1907 / 2006 „REACH“) peut être trouvé sur notre page d'accueil sous: <https://de.solo.global/de/content/12-service>

1 Déclaration CE de conformité

La SOLO Kleinmotoren GmbH, Industriestraße 9, 71069 Sindelfingen, Allemagne déclare que les pulvérisateurs à pression de types **461, 462**, à dater de la date de fabrication 03/2020 et suivantes - répondent aux stipulations applicables de la directive 2006/42/CE sur les machines du parlement européen et du Conseil en date du 17 mai 2006 et de la directive 2009/127/CE.



Sindelfingen, le 01/03/2020

Andreas Emmerich, SOLO Kleinmotoren GmbH, Industriestraße 9, D-71069 Sindelfingen (gérant et autorisé à la documentation)

2 Contenu de la livraison

- Appareil de base avec valve à gâchette sur le tuyau sous pression
- Lance de pulvérisation
- Embout de pulvérisation prémonté y compris buse
- Sangle de transport
- Buse en alternative
- Autocollant pour le contenu du réservoir

3 Pièces d'usure

Les pièces d'usures suivantes ne sont pas incluses dans la garantie constructeur :

* Tous les éléments en caoutchouc venant en contact avec le produit pulvérisé, * jets, * filtres, * joints

4 Garantie

Veuillez noter que des conditions spécifiques de garantie sont appliquées dans certains pays. Veuillez demander à votre revendeur en cas de doute.

Nous ne prenons aucune garantie pour les causes suivantes de dommages :

- Non-respect du manuel d'utilisation d'origine.
- Omission des travaux nécessaires d'entretien et de nettoyage.
- Usure suite à une utilisation normale
- Utilisation d'outils de travail non homologués.
- Usage de la force, traitement incorrect, abus ou accident.
- Intervention de personnes inaptes ou tentatives non conformes de remise en état.
- Modifications de l'appareil de son propre gré.
- Utilisation de pièces de remplacement non conformes aux pièces non d'origine.
- Utilisation d'un agent de pulvérisation non homologué.
- Les dommages engendrés suite aux conditions d'emploi d'activités de location.

Tout travail dans le cadre de la garantie est à effectuer par un revendeur spécialisé autorisé. Les travaux de nettoyage, d'entretien et de réglages ne sont pas reconnus comme prestations dans le cadre de la garantie.

5 Symboles



Lisez attentivement les instructions d'emploi.



DANGER ! Le non-respect des instructions peut entraîner des blessures pouvant causer la mort.



Portez les vêtements de protection prescrits.



Porter des gants de protection



Porter une protection du visage (p.ex. lunettes de protection).



Porter un masque de protection des voies respiratoires.



Interdiction de fumer.



Pas de flamme.



Distance minimale par rapport à d'autres personnes : 15 m

6 Consignes de sécurité

6.1 Utilisation conforme / domaines d'utilisation

- Ce pulvérisateur à pression doit exclusivement être employé pour la pulvérisation de produits phytosanitaires, de pesticides, de désherbants et d'engrais liquides agréés selon les stipulations locales/nationales à une application dans des pulvérisateurs à porter et disponibles dans le commerce spécialisé ainsi que pour la pulvérisation d'eau propre.
- Suivre strictement les indications de l'agent de pulvérisation, notamment les instructions concernant l'équipement de protection personnelle.
- Les domaines d'utilisation sont l'agriculture, les pépinières et les exploitations forestières, dans les cultures de fruits, de vins et de légumes, le domaine de la maison et du jardin tout comme des cultures sous serres avec une aération et une ventilation suffisantes.
- L'appareil ne doit pas être utilisé dans tous les autres buts tels que par exemple l'épandage de mélanges autres que les liquides mentionnés ci-dessus ! En particulier, aucun acide, alcalis, liquide contenant des solvants et agents d'imprégnation ne doit être répandu.
- N'employer aucun liquide au-dessus de 40°C.
- Ne pas utiliser d'agent inflammable.

6.2 Conseils de sécurité généraux

Lisez attentivement ces instructions d'emploi avant une première mise en service et conservez-les précautionneusement.

Le non-respect de ces consignes de sécurité peut représenter un danger de mort, l'utilisateur répond des dommages causés et de leurs suites.

Les instructions d'emploi doivent être en permanence disponibles sur le lieu d'utilisation de l'appareil.

Elles doivent être lues par toute personne chargée d'un travail sur et avec l'appareil (y compris maintenance, entretien et réparations).

- Faites-vous montrer et expliquer le maniement en sécurité par un distributeur SOLO.
- Les personnes de moins de 18 ans ne doivent travailler avec cet appareil que sous surveillance.
- Éloignez les personnes et les animaux du lieu de travail. Ne jamais asperger en direction de personnes, d'animaux ou objets pouvant être endommagés.
- Cet appareil ne doit être prêté ou transmis qu'à des personnes familiarisées avec ce type d'appareil, son usage et le manuel d'utilisation d'origine.

- Pour travailler avec cet appareil, vous devez être en bonne constitution, reposé et en bonne santé.
- On ne doit pas utiliser cet appareil sous l'influence d'alcool, de drogues ou de médicaments.
- Ne procédez à aucune modification des pièces et aménagements de sécurité existants.
- N'utiliser l'appareil que dans un bon état de fonctionnement. Le contrôler avant chaque utilisation conformément au chapitre 10.1.
- Immédiatement remplacer les pièces endommagées. N'utiliser à cet effet que des pièces d'origine SOLO.
- N'utiliser exclusivement que les accessoires et les pièces d'équipement qui sont autorisés pour cet appareil.
- Lors du rangement de l'appareil, le vider et le nettoyer conformément au chapitre 10.6. Interdire les accès non autorisés.

6.3 Un contact sécurisé avec les produits d'aspersion





- Éviter toute contamination de l'environnement, de la tuyauterie et/ou de la canalisation avec des agents d'aspersion et des produits de nettoyage ! Exclure toute contamination durant le mélange, le remplissage, l'application, la vidange, le nettoyage, l'entretien et le transport.
- Toujours collecter les agents d'aspersion et les produits de nettoyage (y compris les restes) dans des récipients adéquats et les déposer à des sites de collecte indiqués par l'administration communale.
- En cas de contact de la peau ou des yeux avec par un agent de dispersion, immédiatement laver ou bien rincer abondamment les parties du corps touchées avec de l'eau propre et immédiatement consulter un médecin.
- Immédiatement changer les vêtements trempés de produit d'aspersion.
- Ni manger ni boire pendant la manipulation des produits d'aspersion.
- Si deviez avoir des nausées en travaillant ou éprouver une fatigue excessive, cessez immédiatement le travail. Si cet état devait persister, consultez immédiatement un médecin.
- N'autorisez jamais des enfants ou des personnes non familiarisées avec la manipulation de produits de dispersion à travailler avec ces mêmes produits.
- Ne mélangez jamais différents produits de dispersion dans le réservoir.
- Indiquez le nom du produit de dispersion sur l'appareil et rectifiez celui-ci à chaque changement de produit.

- En cas de changement de produit, nettoyer le réservoir à produit d'aspersion et toutes les parties en contact avec le produit d'aspersion. Utilisez pour commencer l'appareil avec de l'eau propre avant de verser le nouveau produit de dispersion.
- Lors de la fin du travail, vider et nettoyer l'appareil conformément au chapitre 10.6, se laver le visage et les mains en profondeur, retirer les vêtements de travail et les laver régulièrement.

6.4 Lors du transport de l'appareil

- Lors d'un transport en véhicule, on doit sécuriser l'appareil contre les chutes à l'aide de courroies solides.
- Prohiber tout écoulement de produit d'aspersion. Contrôler l'étanchéité du réservoir à produit d'aspersion et de tout tuyau ou canalisation de liquide d'aspersion.

6.5 Vêtements de travail / Équipement de protection personnel (EPP)

-  Le port d'habits de travail adéquats et conformes aux règlements est obligatoire. Ils doivent protéger toutes les parties du corps d'un contact avec les produits d'aspersion.
- Portez des chaussures solides avec des semelles antidérapantes.
-  Portez des gants de protection avec une face antidérapante.
-  Utilisez une protection du visage (p.ex. lunettes de protection).
-  Pour des travaux dans des serres, dans des plantes épaisses et hautes, dans des cuvettes ou des tombes, et pour l'emploi de produits d'aspersion dangereux, toujours porter un masque respiratoire.

6.6 Avant et pendant le travail.

- Avant de commencer le travail, contrôlez le bon état de service de l'appareil entier suivant chapitre 10.1.
- L'appareil ne doit être utilisé que par une personne. Aucune autre personne ne doit se trouver dans un rayon de 15 m.
- Dans des conditions difficiles, dans des plantations épaisses et hautes, dans des serres, dans des cuvettes ou des tombes, veillez toujours pendant le travail à un renouvellement d'air suffisant.
- Restez toujours à portée de voix d'autres personnes qui pourraient fournir de l'aide en cas d'urgence.
- Faites des pauses régulièrement.
- Ne fumez pas sur le lieu de travail.

6.7 De la maintenance, des réparations et de l'entreposage

N'effectuez vous-même que les opérations de maintenance ou de réparation décrites dans ce mode d'emploi d'origine. Tous les autres travaux sont à réaliser par un atelier spécialisé autorisé.

- L'appareil ne doit pas être entreposé, réparé ou entreposé à proximité d'une flamme.
- Avant toute réparation et avant tous travaux de maintenance et avant l'ouverture du réservoir à produit d'aspersion, évacuer la pression du pulvérisateur en tirant la soupape de sécurité (Fig. 3) !
Avant de tirer sur la soupape de sécurité (d), le pulvérisateur doit toujours être debout.
Attention : Eviter d'approcher le visage !
- Le tuyau sous pression, la valve à gâchette, le manomètre (selon la version), la lance d'aspersion et la tête du gicleur ne doivent être démontés qu'en l'absence de pression.

7 Préparation des travaux

Fig. 1 :

- a Réservoir
- b Couvercle
- c Poignée de pompe
- d Soupape de sécurité
- e Valve à gâchette
- f Lance
- g Tête du gicleur
- h Sangle de portage

7.1 Assemblage

Fig. 2 :

- Serrer la tête du gicleur (g) avec le joint circulaire (10x2 mm) à la main à la lance d'aspersion. Ne pas utiliser d'outil !
- Glisser l'écrou raccord (i) sur le tuyau (j).
- Passer le tuyau sur le raccord prévu au couvercle rouge en le poussant fortement et en le tournant. Veiller à emmancher entièrement le tuyau avant de serrer l'écrou raccord.
- Le vissage à la main de l'écrou raccord permet de bloquer le tuyau. Ne pas utiliser d'outil !
- Monter l'écrou raccord (k) tout droit et serrer la lance d'aspersion (f) avec le joint circulaire (16x3 mm) à la main à la valve à gâchette (e). Ne pas utiliser d'outil !

Fig. 1 :

Si elle n'est pas utilisée, la lance se fixera dans la patte de fixation à la poignée de pompe (c). Prendre le gicleur jusqu'en haut.

7.2 Filtre

Un filtre est inséré dans l'embout de pulvérisation (g) devant la buse de pulvérisation.
L'utilisation d'un filtre est prescrite lors d'un travail avec un pulvérisateur à pression.

7.3 Sangle de transport

Fig. 4 :
Enfiler les deux extrémités de la sangle dans les fentes prévues à cet effet dans le couvercle rouge. Le sangle de transport est réglable à la longueur voulue à l'aide d'un curseur à serrage.

7.4 Tour d'essai

Contrôler l'appareil avant la première utilisation avec un tour d'essai conformément au chapitre 10.2.

8 Appliquer l'agent de pulvérisation et remplir le réservoir d'agent de pulvérisation

Préparer l'agent de pulvérisation selon les prescriptions du fabricant de l'agent de pulvérisation.

Uniquement appliquer l'agent de pulvérisation à l'extérieur, jamais dans des espaces d'habitation, des écuries ou des espaces de stockage d'aliments ou de nourriture pour animaux.

Avant l'ouverture du réservoir à produit, évacuer la pression du pulvérisateur en tirant la soupape de sécurité (Fig. 3) ! Avant de tirer sur la soupape de sécurité (d), le pulvérisateur doit toujours être debout. Attention : Éviter d'approcher le visage !



Le couvercle supérieur rouge ne doit pas être desserré du réservoir à produit.

Fig. 5 :
Dévisser la pompe pour remplir le réservoir à produit d'aspersion. Pour ce faire, pousser la poignée de la pompe (c) vers le bas et la tourner à gauche (sens contraire des aiguilles d'une montre). Dévisser la pompe dans le sens contraire des aiguilles d'une montre. Ne pas utiliser d'outil !

Remplissez le réservoir au maximum jusqu'au marquage supérieur sur la face latérale du réservoir à agent de pulvérisation.

Un déversement du réservoir à agent de pulvérisation, une contamination des eaux publiques, des voies fluviales et d'égout sont à exclure.

Immédiatement essuyer un déversement d'agent de pulvérisation.

Après remplissage, remettre la pompe en place et la revisser et resserrer dans le sens des aiguilles d'une montre, afin que le produit ne puisse s'échapper. Lors du serrage, enclencher la poignée de pompe dans le sens des aiguilles d'une montre.

Fig. 7 :

L'autocollant correspondant au type de pulvérisation herbicide, fongicide ou insecticide est à appliquer sur le réservoir contenant l'agent de pulvérisation.

9 Utilisation du pulvérisateur à pression

9.1 Pulvérisateurs

- Ne pas utiliser l'appareil en cas de vent ou de pluie.
- Contrôler avant le début du travail la direction du vent et choisir une direction de pulvérisation avec l'utilisateur le dos au vent.
- Ne pas pulvériser en direction de personnes, d'animaux, de portes et de fenêtres ouvertes, de voitures et autres pouvant être endommagés par l'agent de pulvérisation.
- Veiller à n'humidifier que ce qui doit vraiment être pulvérisé. Veillez lors de la pulvérisation à une répartition équilibrée et homogène de l'agent de pulvérisation sur les surfaces à traiter.

Pompes et pulvérisateurs :

Pour pomper, libérer la poignée (c) en la tournant pour qu'elle ressorte du cran. Pomper jusqu'à atteindre la pression de service dans le réservoir à produit d'aspersion.

Une éventuelle surpression est automatiquement évacuée par la soupape de sécurité (d).

Tenir le tube de pulvérisation dans la main au niveau de la soupape de pulvérisation.

Fig. 8 :

Pour pulvériser, actionner la soupape à main.

La procédure de pulvérisation est interrompue en relâchant la soupape à main.

Une fois avoir desserré l'écrou de raccordement, le tube de pulvérisation peut être tourné au niveau de la soupape à main pour une pulvérisation sous les feuilles.

Si l'agent de pulvérisation n'est pas répandu correctement, la buse et l'embout filtre sont éventuellement à nettoyer (chapitre 10.6) ou à remplacer (chapitre 10.4).

Le pulvérisateur peut être transporté en le portant par la poignée de pompe (3), à condition d'avoir poussée la poignée entièrement vers le bas et de l'avoir tournée à droite jusqu'à ce qu'elle s'enclenche.

9.2 Quantité résiduelle de l'agent de pulvérisation/achèvement de la procédure de pulvérisation.

L'agent de pulvérisation n'est plus correctement alimenté à partir d'une quantité résiduelle de moins de 200 ml dans le réservoir à agent de pulvérisation. Verser si nécessaire à nouveau de l'agent de pulvérisation ou pour terminer la pulvérisation mélanger cette quantité restante avec 2 litres d'eau propre et répandre sur les surfaces traitées.

Lors de la fin du travail, vider et nettoyer l'appareil conformément au chapitre 10.6, nettoyer le visage et les mains en profondeur, enlever les vêtements de travail et régulièrement les laver.

10 Entretien, nettoyage et conservation

10.1 Programme d'entretien

Avant le début du travail :

- Contrôler l'état fiable de fonctionnement de l'ensemble de l'appareil :
 - Contrôle visuel de l'appareil
 - Contrôler l'étanchéité de tous les éléments de l'appareil (à pression maximale admissible avec soupape à main ouverte et fermée).
 - Contrôler le bon état de fonctionnement de tous les éléments de fonctionnement (levier de pompage, soupape à main)
 - Contrôler les tuyaux et leurs raccords vissés.

Après la fin du travail, lors du remplacement de l'agent de pulvérisation, en cas de besoin :

- Nettoyer le réservoir à agent de pulvérisation chapitre 10.6
- Nettoyer les buses et le filtre chapitre 10.6

Une fois par mois au en début de saison, en cas de besoin :

- Contrôle de la quantité répandue chapitre 10.3
- Graisser le joints chapitre 10.5

10.2 Tour d'essai

Il est à vérifier comme suit au début de la saison de pulvérisation et dans un rythme mensuel par un tour d'essai avec de l'eau propre :

- L'étanchéité de tous les éléments de l'appareil à pression maximale admissible avec soupape à main ouverte et fermée.
- Le bon fonctionnement de toutes les pièces de fonctionnement (soupape à main, levier de pompage)
- L'exactitude du dosage et de la répartition
- La quantité répandue d'agent de pulvérisation selon le chapitre 10.3

Ne pas utiliser l'appareil en cas d'irrégularités, d'endommagement, de fuites ou de limitations dans le fonctionnement mais au contraire le faire contrôler sans tarder par un atelier spécialisé.

10.3 Vérification de la quantité répandue

Remplir l'appareil jusqu'à la marque maximale avec de l'eau propre et exactement pulvériser pendant une minute avec une pression de service de 2 bar. Ensuite mesurer la quantité d'eau nécessaire à un nouveau remplissage jusqu'à la marque maximale. La quantité répandue ne doit pas diverger de plus de 10 % de la valeur indiquée (chapitre 11), dans le cas contraire nettoyer la buse et le filtre appliqué et répéter la mesure. Si la quantité répandue n'est toujours pas correcte après le nettoyage, remplacer la buse et/ou le filtre . Chapitre 10.4

10.4 Remplacer la buse de pulvérisation et/ou le filtre

- Rincer l'embout de buse avec de l'eau propre.
- Mettre l'embout de buse en pièces.
- Nettoyer le joint torique, le filtre appliqué et la buse de pulvérisation avec de l'eau propre et une brosse douce. Ne pas souffler avec la bouche sur la buse de pulvérisation ! Ne pas nettoyer les buses avec des objets durs !
- Remplacer l'ancienne buse par une nouvelle ou bien l'ancien filtre par un nouveau filtre.
- Visser à nouveau ensemble les pièces individuelles de l'embout buse (Fig. 2).

10.5 Graisser le joints

Lorsque la soupape de sécurité ou le pompage devient difficile, il convient de nettoyer les joints toriques respectifs et de les graisser avec de la graisse silicone, ou si besoin, les remplacer.

Nettoyer/graisser/remplacer le joint torique de la soupape de sécurité :

- Poser le pulvérisateur vide et sans pression sur un sol plat.
- Dévisser la soupape de sécurité (d) en sens antihoraire.
- Nettoyer, graisser ou remplacer le joint de la soupape de sécurité avec un nouveau s'il est endommagé.
- Monter la soupape de sécurité tout droite et visser à la main en sens horaire.
Ne pas utiliser d'outil !

Nettoyer/graisser/remplacer les joints toriques de la pompe :

- Poser le pulvérisateur vide et sans pression sur un sol plat.
- Dévisser la pompe en sens antihoraire (Fig. 5).
- Nettoyer, graisser ou remplacer le joint torique de l'extrémité supérieure de la pompe (Fig. 6.3) avec un nouveau s'il est endommagé.
- Retirer le piston de pompe (Fig. 6.1) entièrement et le tourner en sens horaire pour le faire sortir du cylindre de pompe (Fig. 6.5).
Ne pas forcer et ne pas utiliser d'outil !
- Nettoyer, graisser ou remplacer le joint torique au piston de pompe (Fig. 6.4) avec un nouveau s'il est endommagé.
- Réinsérer le piston de pompe dans le cylindre de pompe. Introduire la chemise de piston (Fig. 6.2) dans le cylindre de pompe et la maintenir.
- Maintenir la chemise de piston et tirer délicatement le piston jusqu'en haut (au maximum).
- Tourner le piston de pompe en sens horaire jusqu'à ce que la chemise de piston s'enclenche dans le cylindre de pompe.
Ne pas forcer et ne pas utiliser d'outil !

10.6 Vider le réservoir, nettoyer les pièces conduisant l'agent de pulvérisation

Avant l'ouverture du réservoir à produit et avant le démontage de la tête de gicleur, évacuer la pression du pulvérisateur en tirant la soupape de sécurité (Fig. 3) ! Avant de tirer sur la soupape de sécurité (d), le pulvérisateur doit toujours être debout. Attention : Eviter d'approcher le visage !

Vider quotidiennement après utilisation le réservoir, toutes les pièces conduisant de l'agent de pulvérisation et bien les rincer avec de l'eau propre.

Une attention particulière doit être apportée aux pièces d'usure telles que les buses, filtres et joints. Suivre les consignes de nettoyage dans le manuel d'origine d'utilisation de l'agent de pulvérisation. Ne jamais utiliser de détergents agressifs, acides ou comprenant des solvants (p.ex. de l'essence). Après le nettoyage, faire sécher le réservoir à agent de pulvérisation à l'état ouvert.

Nettoyer la buse de pulvérisation et le filtre

Fig. 9 :

- Rincer l'embout de buse avec de l'eau propre.
- Mettre l'embout de buse en pièces.
- Nettoyer le joint torique, le filtre et la buse de pulvérisation avec de l'eau propre et une brosse douce.
Ne pas souffler avec la bouche sur la buse de pulvérisation !
Ne pas nettoyer les buses avec des objets durs !
- Visser à nouveau ensemble les pièces individuelles de l'embout buse (Fig. 2).

10.7 Mise à l'arrêt et conservation

Vider et nettoyer l'appareil conformément au chapitre 10.6.

Conservé l'appareil à l'abri des rayons du soleil dans un espace sec, à l'abri du gel et sûr avec une température ambiante jusqu'à 35°C max.

Il ne doit pas se trouver de flamme nue ou similaire à proximité.

Exclure une utilisation non autorisée - en particulier par des enfants.

11 Données techniques

Modèle			461	462
Réservoir à agent de pulvérisation :	Volumes totaux	l	env. 8,3	env. 9,5
	Quantité max de remplissage	l	env. 5,0	env. 7,0
Quantité résiduelle, que l'appareil ne répand pas correctement			ml < 200	
Pression maximale admissible de service			bar 3,0	
Température admissible de service			°C 0-40	
Tuyau pression :	Longueur	mm	1.500	
Quantité maximale répandue (avec buse standard)			l/min 1,6	
Filtre appliqué :	Maillage	mm	0,8	
Poids :	Prêt à l'emploi sans agent de pulvérisation	kg	1,5	1,7
	Prêt à l'emploi avec remplissage quantité maximale	kg	6,5	8,7
Dimensions (sans lance ni tuyau)	hauteur	mm	460	520
	largeur	mm	200	200
	profondeur	mm	200	200

Quantités répandues / * **pression de service optimale** avec utilisation de la buse correspondante :

Pression de pulvérisation \ Buse	1 bar	2 bar	3 bar
Buse à jet plat 04-F110	0,92 l/min	* 1,31 l/min	1,60 l/min
Buse à cône creux 1,0 mm Ø	0,40 l/min	* 0,55 l/min	0,70 l/min

Manual original

¡Lea atentamente este manual de empleo antes de la primera puesta en funcionamiento y respete imprescindiblemente las prescripciones de seguridad!

Reservados los derechos a cambios en el alcance del suministro en cuanto a forma, técnica y de la entrega en forma, técnica y equipamiento. No se pueden derivar reclamaciones de los datos e ilustraciones de este manual de instrucciones original.

Desechar correctamente el embalaje y el dispositivo al final de su vida útil, de acuerdo con las regulaciones locales.

La máquina puede estar sujeta a normas nacionales para la revisión periódica por los organismos designados, tal como establece la Directiva 2009/128/CE

Información sobre los ingredientes materiales. (VO (EC) No.1907 / 2006 „REACH“)

Se puede encontrar en nuestra página de inicio en: <https://de.solo.global/de/content/12-service>

1 Declaración de conformidad CE

SOLO Kleinmotoren GmbH, Industriestraße 9, 71069 Sindelfingen, Alemania, declara que el pulverizador a presión tipo **461, 462** desde la fecha de fabricación de 03/2020 y siguientes - cumple las disposiciones pertinentes de la Directiva 2006/42/CE del Parlamento Europeo y del Consejo del 17 de mayo de 2006 sobre máquinas, así como la Directiva 2009/127/CE.



Sindelfingen, 01/03/2020

Andreas Emmerich, SOLO Kleinmotoren GmbH, Industriestraße 9, D-71069 Sindelfingen (Director gerente y responsable de la documentación)

2 Alcance de suministro

- Dispositivo básico con válvula manual en la manguera de presión
- Tubo de pulverización
- Acoplamiento de boquilla premontado, incl. boquilla
- Correa de transporte
- Boquilla alternativa
- Etiquetas para el contenido del tanque

3 Piezas de desgaste

Las siguientes piezas de desgaste no están sujetas a la garantía del fabricante:

* Todas las piezas de goma que entran en contacto con los aerosoles, * boquillas, * filtros, * sellos

4 Garantía

Tenga en cuenta que en algunos países se aplican condiciones de garantía específicas. En caso de duda, pregunte a su vendedor.

No se aplica ninguna garantía por las siguientes causas de daños:

- No observar el manual de instrucciones original.
- Omisión de los trabajos de mantenimiento y limpieza necesarios.
- Desgaste por el uso normal
- Uso de herramientas de trabajo no permitidas.
- Uso de fuerza, manipulación inadecuada, mal uso o accidente.
- Intervenciones de personas no autorizadas o reparaciones incorrectas.
- Modificaciones no autorizadas en el dispositivo.
- Uso de piezas de repuesto inadecuadas o piezas no originales.
- Uso de aerosoles no permitidos.
- Daños resultantes de las condiciones de funcionamiento del negocio de alquiler.

Cualquier trabajo de garantía debe ser realizado por uno de nuestros distribuidores autorizados. Los trabajos de limpieza, mantenimiento y ajuste no se reconocen como garantía.

5 Símbolos



Leer atentamente el manual de instrucciones original.



¡PELIGRO! El incumplimiento de las instrucciones de uso originales puede causar lesiones potencialmente mortales.



Usar ropa de protección adecuada.



Usar guantes de protección.



Usar protección facial (p. e., gafas de protección).



Usar mascarilla respiratoria.



Prohibido fumar.



Ningún fuego abierto (llama).



Distancia mínima a otras personas: 15 m

6 Normas de seguridad

6.1 Uso previsto / Áreas de aplicación

- Utilizar el dispositivo únicamente para aplicar plaguicidas líquidos, pesticidas, herbicidas y fertilizantes líquidos disponibles en distribuidores autorizados y aprobados por las autoridades locales/nacionales para su uso con dispositivos de pulverización portátiles y para la aplicación de agua limpia.
- Seguir cuidadosamente la información del agente de pulverización, especialmente las instrucciones relativas al equipo de protección personal.
- Las áreas de aplicación son en agricultura, en viveros y silvicultores, en cultivos de frutas, vino y hortalizas, en áreas domésticas y de jardín, así como en cultivos de invernadero con ventilación suficiente.
- ¡Para todos los demás fines, como para la aplicación de otros medios distintos a los mencionados líquidos, no debe utilizarse el dispositivo! En particular, no se pueden aplicar ácidos, soluciones alcalinas, líquidos que contengan disolventes ni agentes de impregnación.
- No utilizar líquidos con temperaturas superiores a 40°C.
- No utilizar productos inflamables.

6.2 Instrucciones generales de seguridad

Leer el manual de instrucciones original antes del primer uso y guardarlo en un lugar seguro.

El incumplimiento de la información contenida en este manual de instrucciones original puede ser peligroso para la vida; el usuario es responsable de todos los daños y consecuencias.

El manual de instrucciones original debe estar siempre disponible en el lugar de uso.

Debe ser leído por todas las personas que sean responsables de trabajar con y en el dispositivo (también en el mantenimiento, conservación y reparaciones).

- Permita que un distribuidor especializado de SOLO le muestre y explique el manejo seguro.
- Las personas menores de 18 años pueden usar este dispositivo sólo bajo supervisión.
- Mantenga a las personas y animales alejados del área de trabajo. Nunca pulverice en dirección a personas, animales y objetos que puedan dañarse.
- Este dispositivo sólo puede entregarse a personas que estén familiarizadas con este tipo, su funcionamiento y el manual de instrucciones original.
- Si trabaja con este dispositivo, debe estar en buena forma, bien equilibrado y saludable.

- Bajo la influencia del alcohol, drogas o drogas no utilizar este dispositivo.
- No modifique ningún dispositivo de seguridad o control existente.
- Utilice el dispositivo únicamente en condiciones seguras. Antes de cada uso se debe supervisar según el cap. 10.1.
- Reemplazar inmediatamente cualquier pieza dañada. Utilizar únicamente repuestos originales SOLO.
- Utilizar exclusivamente accesorios y componentes aprobados para este dispositivo.
- Para almacenar el dispositivo, vaciarlo y limpiarlo según las instrucciones del cap. 10.6. Evitar el acceso no autorizado.


6.3 Manejo seguro con aerosoles

- Asegurar que no haya contaminación del medio ambiente, de la red de tuberías de agua y/o del sistema de alcantarillado con aerosoles y detergentes al mezclar, llenar, aplicar, vaciar, limpiar, mantener y transportar mediante procedimientos adecuados y recipientes colectores.
- Recoger el aerosol y el detergente (también residuos) en recipientes adecuados y depositarlos en los puntos de recogida indicados por las autoridades municipales.
- En caso de contacto del aerosol con la piel o los ojos, enjuagar las partes afectadas del cuerpo inmediatamente con agua abundante, limpia y solicite atención médica inmediata.
- Cambie inmediatamente la ropa mojada con el aerosol.
- No coma, beba ni fume durante el manejo de aerosoles.
- Si se siente mal en el trabajo, o se cansa excesivamente, abandone de inmediato el trabajo. Si este estado persiste, consulte a un médico inmediatamente.
- Nunca permita que niños o personas que no estén familiarizados con el uso de materiales de pulverización trabajen con aerosoles.
- Nunca rellene el tanque de pulverización con diferentes aerosoles..
- Debe escribir el nombre del aerosol utilizado en el equipo y actualizarlo con cada cambio de aerosol.
- Cuando cambie el aerosol, limpie el tanque de pulverización y todas las partes que conducen el aerosol. Antes de rellenar con el nuevo aerosol, utilizar el dispositivo con agua limpia.
- Al terminar el trabajo, vaciar y limpiar el dispositivo según el cap. 10.6, limpiar a fondo la cara y las manos, retirar la ropa de trabajo y lavarla con regularidad.

6.4 Al transportar el dispositivo

- Al transportar el dispositivo en vehículos, debe asegurarlo mediante correas.
- Se debe excluir la fuga de aerosoles. Debe comprobar la estanqueidad del tanque de pulverización y de todas las mangueras y tuberías de pulverización.

6.5 Ropa de trabajo / Dispositivo de Protección Personal (DPP)

 Debe usarse ropa de protección apropiada y prescrita para proteger todas las partes del cuerpo del contacto con el material de pulverización.

- Use zapatos fuertes con una suela de agarre firme.



- Use guantes de protección con una superficie antideslizante.



- Utilice un protector facial (por ejemplo, gafas de protección).



- Al trabajar en plantaciones densas, altas, en invernaderos, en pozos o en zanjas, y cuando se usan pulverizaciones peligrosas siempre use mascarilla respiratoria.

6.6 Antes y durante el trabajo

- Antes de cada inicio de trabajo, comprobar la seguridad operativa del dispositivo completo según el cap. 10.1.
- El dispositivo sólo puede ser operado por una persona. No se permiten otras personas en un radio de 15 m.
- En plantas densas, en invernaderos, en comederos o en trincheras, asegúrese siempre de una ventilación adecuada.
- Mantenerse siempre en contacto con otras personas que pueden ayudar en situación de emergencia.
- Planificar a tiempo las pausas en el trabajo.
- No fume en el lugar de trabajo.

6.7 En el mantenimiento, reparación y almacenamiento

Realizar únicamente los trabajos de mantenimiento y reparación que se describen en este manual de instrucciones original. Todos los demás trabajos deben ser realizados por un taller especializado autorizado.

- No realizar el mantenimiento, reparaciones o almacenar el dispositivo cerca de un fuego abierto.
- ¡Antes del mantenimiento y la reparación y antes de abrir el depósito de líquido se dejará escapar la presión que pueda haber en el pulverizador tirando de la válvula de seguridad (Fig. 3)! Antes de tirar de la válvula de seguridad (d), el pulverizador siempre tendrá que estar ocupando

una posición vertical.

Atención: ¡Evitar que el rostro esté cerca!

- La manguera de presión, la válvula manual, el tubo de pulverización y el acoplamiento de la boquilla sólo pueden desenroscarse cuando estén despresurizados.

7 Preparación del trabajo

Fig. 1:

- a Depósito
- b Acoplamiento
- c Empuñadura de la bomba
- d Válvula de seguridad
- e Grifo de cierre
- f Tubo de rociado
- g Tobera de rociado
- h Bandolera

7.1 Montaje

Fig. 2:

Atornillar con la mano la tobera (g) con el O-Ring (10x2 mm) en el tubo de rociado.

¡No emplear ninguna herramienta!

- Conducir la tuerca de racor (i) por encima de la manguera (j).
- Con mucha presión y girando convenientemente, meter la manguera totalmente por encima de la conexión prevista en el acoplamiento rojo. Prestar atención a que la manguera esté siempre metida hasta el fondo.
- Aseguro la manguera enroscanda con la mano la tuerca de racor.
¡No emplear ninguna herramienta!
- Aplicará la tuerca de racor (k) en posición recta y atornillar con la mano el tubo de rociado (f) con el O-Ring (16x3 mm) en el grifo de cierre (e). ¡No emplear ninguna herramienta!

Fig. 1:

Cuando no se está trabajando, dejar fijado el tubo de rociado en la abrazadera de la empuñadura de la bomba (c). Tener en cuenta, la tobera hacia arriba.

7.2 Filtro y colador de llenado

En el acoplamiento de boquilla (g) hay un filtro delante de boquilla.

El uso de filtro es necesario cuando se trabaja con el pulverizador a presión.

7.3 Correa de transporte

Fig. 4:

Introducir ambos extremos de la correa de transporte en las ranuras que tiene el acoplamiento rojo. La correa de transporte pueden ajustarse mediante el ajustador de corredera hasta la longitud deseada.

7.4 Prueba

Antes de utilizar el dispositivo por primera vez, comprobar el dispositivo con una prueba de funcionamiento según el cap. 10.2.

8 Aplicar aerosol y rellenar tanque de aerosol

Aplicar el aerosol de acuerdo con las instrucciones del fabricante de aerosol.

Aplicar e aerosol sólo al aire libre, nunca en las viviendas, establos o áreas de almacenamiento de alimentos y piensos.

¡Antes de abrir el depósito de líquido se dejará escapar la presión que pueda haber en el pulverizador tirando de la válvula de seguridad (Fig. 3)! Antes de tirar de la válvula de seguridad (d), el pulverizador siempre tendrá que estar ocupando una posición vertical.

Atención: ¡Evitar que el rostro esté cerca!



El acoplamiento superior rojo no se deberá separar del depósito.

Fig. 5:

Para cargar el líquido de rociado, desenroscar la bomba. Empujar para ello la empuñadura de la bomba (c) hacia abajo y girarla hacia la izquierda (en sentido antihorario) hasta que la empuñadura quede enclavada.

Desenroscar la bomba en sentido antihorario.

¡No emplear ninguna herramienta!

Evite un contacto directo entre la manguera de llenar y el contenido de la recipiente.

Llenar el tanque como máximo hasta la marca al lado del tanque de aerosol.

Se excluirá un desbordamiento del tanque de aerosol, la contaminación de las aguas públicas, de la lluvia y de las alcantarillas.

Limpiar inmediatamente el aerosol derramado.

Después de realizar la carga colocar la bomba en su sitio y enroscarla firmemente en sentido horario para que no salga líquido. Al apretar, hacer enclavar la empuñadura en sentido horario.

Fig. 7:

Colocar la etiqueta respectiva del tipo de aerosol herbicidas, fungicidas o insecticidas en el tanque de aerosol.

9 Aplicación del pulverizador a presión

9.1 Pulverizar

- No utilizar el equipo en caso de viento o lluvia.
- Antes de iniciar el trabajo, comprobar la dirección del viento y seleccione la dirección de pulverizado contraria al usuario.
- No pulverice en dirección a personas, animales, puertas y ventanas abiertas, automóviles o cualquier otra cosa que pueda dañarse con el pulverizado.
- Asegúrese de que sólo se humedezca lo que realmente debe ser pulverizado. Al pulverizar, asegure una distribución uniforme y una fijación homogénea del aerosol sobre las superficies a tratar.

Bombas y pulverizar:

Para bombear, soltar la empuñadura (3) del enclavamiento girándola convenientemente. Bombear hasta que se haya alcanzado la presión necesaria en el depósito.

Sujetar el tubo de pulverización en la válvula manual en la mano.

Fig. 8:

Para pulverizar, activar la válvula manual.

Al soltar la válvula manual, se interrumpe el proceso de pulverizado.

El tubo de pulverización se puede girar en la válvula manual, para pulverizar la parte inferior de las hojas, después de aflojar la tuerca de unión.

Si el aerosol no se aplica correctamente, limpiar la boquilla y el elemento filtrante (capítulo 10.6) o reemplazarlo (cap. 10.4).

El pulverizador se podrá asir también por la empuñadura de la bomba (c) si esta última se corrió completamente hacia abajo, enclavándola seguidamente hacia la derecha.

9.2 Cantidad residual de aerosol / Terminar el proceso de pulverización

A partir de una cantidad residual de menos de 200 ml en el tanque de aerosol, el aerosol ya no se transmite correctamente. Si es necesario, agregar otro aerosol o diluir esta cantidad residual con 2 litros de agua limpia hasta el final de la pulverización y aplicar sobre la superficie tratada. Al terminar el trabajo, vaciar y limpiar el dispositivo según el cap. 10.6, limpiar a fondo la cara y las manos, retirar la ropa de trabajo y lavarla con regularidad.

10 Mantenimiento, limpieza y almacenamiento

10.1 Plan de mantenimiento

Antes de iniciar el trabajo:

- Comprobar el funcionamiento seguro del dispositivo:
 - Control visual del dispositivo
 - Comprobar la estanqueidad de todas las piezas del equipo (con la presión máxima permitida con la válvula manual abierta y cerrada)
 - Verificar el funcionamiento correcto de todas las partes funcionales (empuñadura de la bomba, válvula manual)
 - Comprobar las líneas de mangueras y sus conexiones atornilladas.

Después del trabajo, al cambiar el aerosol, si es necesario:

- Limpiar el tanque de aerosol Cap. 10.6
- Limpiar boquillas y filtro Cap. 10.6

Mensualmente o al inicio de la temporada, si es necesario:

- Comprobar el caudal de salida Cap. 10.3
- Engrasar las juntas Cap. 10.5

10.2 Prueba

Al comienzo de la temporada de pulverización y en un ciclo mensual, se realizarán los siguientes ensayos con agua limpia:

- la estanqueidad de todas las piezas del equipo (con la presión máxima permitida con la válvula manual abierta y cerrada)
- Funcionamiento correcto de todas las partes funcionales (válvula manual, empuñadura de la bomba)
- Precisión de dosificación y distribución
- Caudal de salida de aerosol según Cap. 10.3

En caso de irregularidades, daños, fugas o integridad funcional restringida, no utilice el dispositivo, envíelo a revisión inmediatamente a un taller especializado.

10.3 Comprobación del caudal de salida

Llenar el dispositivo hasta la marca máxima con agua limpia y pulverizar exactamente un minuto con una presión de trabajo de 2 bar. A continuación, medir la cantidad de agua hasta la marca máxima para rellenar. El caudal de salida no debe desviarse más del 10% del valor indicado (cap. 11); de lo contrario, limpiar la boquilla y el elemento filtrante y repetir la medición

Si el caudal de salida aún no es correcto después de la limpieza, reemplazar la boquilla y/o el elemento filtrante. Cap. 10.4

10.4 Cambiar la boquilla y/o el filtro

- Enjuagar el acoplamiento de boquilla con agua limpia.
- Desmontar el acoplamiento de boquilla.
- Limpiar las juntas tóricas, el elemento filtrante y la boquilla con agua limpia y un cepillo suave. ¡No soplar la boquilla con la boca! ¡No limpiar las boquillas con objetos duros!
- Sustituir la boquilla anterior con una boquilla nueva o el elemento filtrante anterior con un elemento filtrante nuevo.
- Volver a montar las partes de la boquilla (Fig. 2).

10.5 Engrasar las juntas

En caso que la válvula de seguridad (d) o el pistón de la bomba no se deje manejar de forma fácil, las respectivas juntas deben ser limpiados y lubricados con grasa de silicona o reemplazados si es necesario.

Limpiar/engrasar/reemplazar la junta de la válvula de seguridad:

- El pulverizador se ha de vaciar de líquidos y presión. Ser ha de poner de forma segura en el suelo. Desenroscar la válvula de seguridad (d) en sentido antihorario.
- La junta puede ser limpiada, lubricada o, en caso de haberse producido un daño, puede ser reemplazada por una nueva junta.
- Aplicará la válvula de seguridad en posición recta y atornillar con la mano. ¡No emplear ninguna herramienta!

Limpiar/engrasar/reemplazar las juntas de la bomba:

- El pulverizador se ha de vaciar de líquidos y presión. Ser ha de poner de forma segura en el suelo.
- Desenroscar la bomba en sentido antihorario del depósito de líquido (Fig. 5).
- La junta en el extremo superior de la bomba (Fig. 6.3) puede ser limpiada, lubricada o, en caso de haberse producido un daño, puede ser reemplazada por una nueva junta.
- Extraer el émbolo de la bomba (Fig. 6.1) por completo del cilindro de la bomba (Fig. 6.5) y girarlo en sentido antihorario del. ¡No ejercer violencia ni utilizar herramienta alguna!
- La junta en el émbolo de la bomba (Fig. 6.4) puede ser limpiada, lubricada o, en caso de haberse producido un daño, puede ser reemplazada por una nueva junta.
- Introducir el émbolo en el cilindro de la bomba. Guiar el casquillo del émbolo (Fig. 6.2) en el cilindro de la bomba y retenerlo.
- Retener el casquillo dentro del cilindro y tirar con cuidado el émbolo completamente hacia arriba.

- Girar el émbolo en sentido horario hasta que el casquillo quede enclavado en el cilindro. ¡No ejercer violencia ni utilizar herramienta alguna!

10.6 Vaciar el tanque de aerosol y limpiar las piezas de pulverización

¡Antes de abrir el depósito de líquido y antes de desmontar la tobera de rociado se dejará escapar la presión que pueda haber en el pulverizador tirando de la válvula de seguridad (Fig. 3)!

Antes de tirar de la válvula de seguridad (4), el pulverizador siempre tendrá que estar ocupando una posición vertical.

Atención: ¡Evitar que el rostro esté cerca!

Vaciar el tanque de aerosol y todas las piezas de pulverización llenado todos los días después del uso y enjuagarlos bien con agua limpia.

Prestar especial atención a piezas de desgaste, como boquillas, filtros y sellos.

Observar las instrucciones de limpieza en el manual de instrucciones original del aerosol.

Nunca utilice productos de limpieza agresivos, ácidos o de base disolvente (por ejemplo, gasolina).

Dejar que el tanque de aerosol se seque abierto después de la limpieza.

Limpiar boquilla y filtro:

Fig. 9:

- Enjuagar el acoplamiento de boquilla con agua limpia.
- Desmontar el acoplamiento de boquilla.
- Limpiar las juntas tóricas y el filtro con agua limpia y un cepillo suave.
¡No soplar la boquilla con la boca!
¡No limpiar las boquillas con objetos duros!
- Volver a montar las partes de la boquilla (Fig. 2).

10.7 Desmantelamiento y almacenamiento

Vaciar y limpiar el dispositivo según Cap. 10.6.

Almacenar el dispositivo protegido de la luz solar en un lugar seco, libre de escarcha y seguro a una temperatura ambiente de máx. 35°C

No debe haber fuego abierto o similares en las inmediaciones.

Evitar el uso no autorizado - especialmente por los niños.

11 Datos técnicos

Modelo		461	462
Tanque de aerosol:	Volumen total	l	aprox. 8,3
	Llenado máx.	l	aprox. 5,0
Residuo, que el dispositivo ya no emite correctamente	ml	< 200	
Máxima presión de funcionamiento permitida	bar	3,0	
Temperatura de funcionamiento permitida	°C	0-40	
Manguera de presión:	Longitud	mm	1.500
Caudal de salida máximo (con boquilla estándar a 3 bar)	l/min	1,6	
Elemento filtrante: Ancho de malla	mm.	0,8	
Peso:	Listo para usar, sin aerosol	kg	1,5
	Listo para usar, con llenado máx.	kg	6,5
Dimensiones: (sin tubo de rociado ni manguera de presión)	Altura	mm	460
	Ancho	mm	200
	Profundidad	mm	200

Caudales / * **presión de funcionamiento óptima** al utilizar la boquilla correspondiente:

Boquilla \ Presión de pulverización	1 bar	2 bar	3 bar
Boquilla plana 04-F110	0,92 l/min	* 1,31 l/min	1,60 l/min
Boquilla de cono hueco 1,0 mm Ø	0,40 l/min	* 0,55 l/min	0,70 l/min

solo[®]

Made in Germany



SOLO Kleinmotoren GmbH

Industriestraße 9 D-71069 Sindelfingen

Postfach / PO Box 60 01 52 D-71050 Sindelfingen

DEUTSCHLAND / GERMANY

Tel.: +49 (0)7031 301-0 Fax: +49 (0)7031 301-202

info@solo-germany.com <http://solo.global/>